



## Plate Stacker- 2004C

Models PS-36, PS-48, PS-60

**Electronic board generation**

**Owner's Manual**



**0.- Introduction**

0.1 Registration of your plate stacker

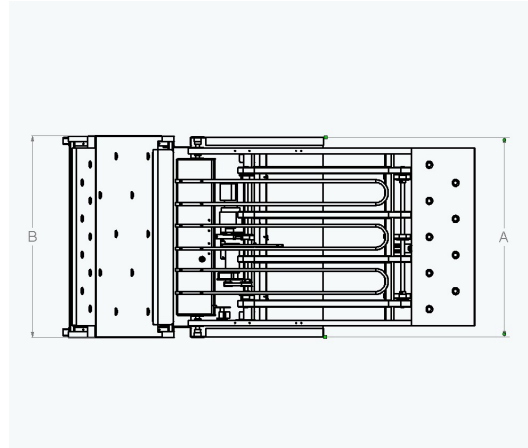
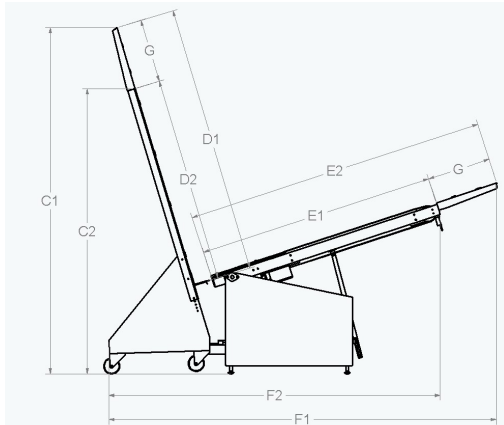
Model number:	Nita PS-
Serial Number:	
Date purchased	

0.2 Electrical characteristics

Voltage:	120VAC
Amps:	6A
Cycle:	60Hz
Phase	1Ø
Motor armature fuse:	2A
Control relay fuse	2A
Motor control fuse:	2A

(d).- Mechanical Characteristics (chart 2):

**PHYSICAL DIMENSIONS**



DIMENSIONS	PS-36	PS-48	PS-60
A- Total width of conveying unit	36	48	66
B- Total width of trolley	36-3/8	48-3/8	60
C1- Height of trolley with extension	65-3/8	65-3/8	75-1/2
C2- Height of trolley without extension	53-7/8	53-7/8	XXX
D1- Height of stackable area with extension	50-5/8	50-5/8	62
D2- Height of stackable area without extension	38-5/8	38-5/8	78
E1- Length of conveyor with shelf	56-3/4	63-3/4	XXX
E2- Length of conveyor without shelf	44-3/4	51-3/4	80
F1- Total length of complete stacker and trolley with shelf	73-1/4	80-1/2	110-3/8
F2- Total length of complete stacker and trolley without shelf	62-5/8	69-5/8	84-3/8
G- Length of shelf or extension	12	12	16

Trolley top extension for all stackers = 10 -12 inches

\*\*\* STANDARD IN 110 VOLTS BUT ALSO AVAILABLE (BY REQUEST) IN 220 VOLTS

Total weight of plate stacker 36": 150 Lbs >>> additional trolley : 35 lbs

Total weight of plate stacker 48" 190 Lbs >>> additional trolley : 40 lbs

Total weight of plate stacker 60": 425 Lbs >>> additional trolley : 75 lbs